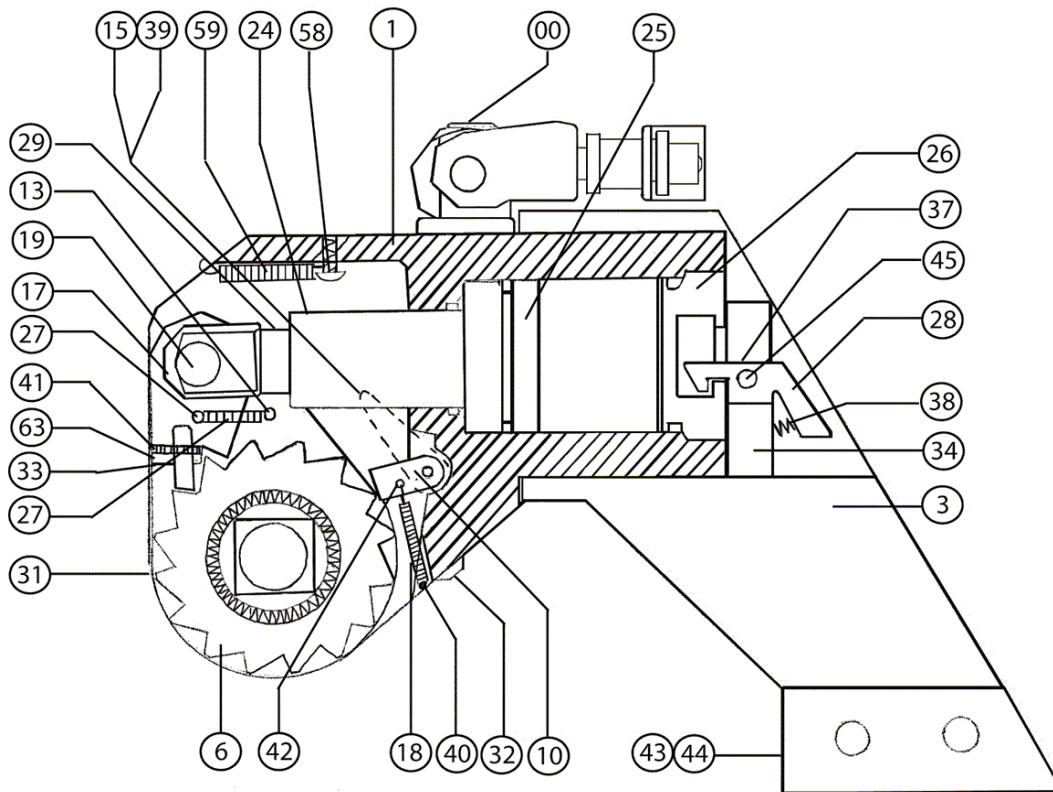
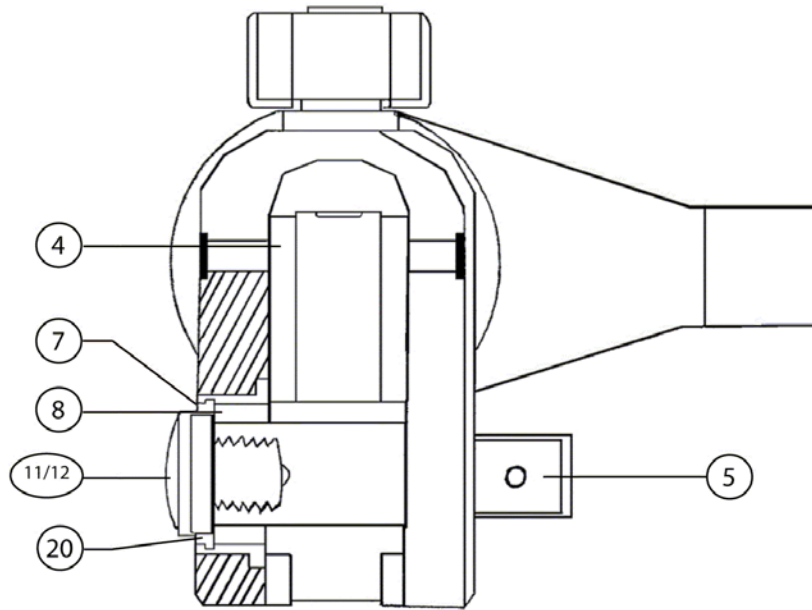


RT TOOL SCHEMATIC





RT TOOL PARTS LIST

| # N° | <u>DESCRIPTION</u> | <u>RT1</u> | <u>RT3</u> | <u>RT5</u> | <u>RT8</u> |
|-------------|---------------------------------|-------------------|-------------------|-------------------|-------------------|
| 1 | Housing | RT1-1 | RT3-1 | RT5-1 | RT8-1 |
| 3 | Reaction Arm Assembly | RT1-3 | RT3-3 | RT5-3 | RT8-3 |
| 4 | Drive Plate | RT1-4 | RT3-4 | RT5-4 | RT8-4 |
| 5 | Square Drive | RT1-5 | RT3-6 | RT5-5 | RT8-5 |
| 6 | Ratchet Spline | RT1-6 | RT3-6 | RT5-6 | RT8-6 |
| 7 | Drive bushing (2) | RT1-7 | RT3-7 | RT5-7 | RT8-8 |
| 8 | Drive Sleeve Spline (2) | RT1-8 | RT3-8 | RT5-8 | RT8-8 |
| 10 | Reaction Pawl | RT1-10 | RT3-10 | RT5-10 | RT8-10 |
| 11 | Drive Retainer | RT1-11 | RT3-11 | RT5-11 | RT8-11 |
| 13 | Drive Plate Roll Pin | RT1-13 | RT3-13 | RT5-13 | RT8-13 |
| 15 | Disengagement Lever w/ screws | RT1-15 | RT3-15 | RT5-15 | RT8-15 |
| 17 | Piston Rod End | RT1-17 | RT3-17 | RT5-17 | RT8-17 |
| 18 | Reaction Pawl Spring + roll pin | RT1-18 | RT3-18 | RT5-18 | RT8-18 |
| 19 | Rod End Pin | RT1-19 | RT3-19 | RT5-19 | RT8-19 |
| 20 | Drive sleeve Retaining Ring | RT3-20 | RT3-20 | RT5-20 | RT8-20 |
| 24 | Piston Sleeve with seal | RT1-24 | RT3-24 | RT5-24 | RT8-24 |
| 25 | Piston with Seal | RT1-25 | RT3-25 | RT5-25 | RT8-25 |
| 26 | Cylinder End Cap | RT1-26 | RT3-26 | RT5-26 | RT8-26 |
| 27 | Drive Pawl Spring (2) | RT1-27 | RT3-27 | RT5-27 | RT8-27 |
| 28 | Reaction Arm Lever | RT1-28 | RT3-28 | RT5-28 | RT8-28 |
| 29 | Piston Rod | RT1-29 | RT3-29 | RT5-29 | RT8-29 |
| 31 | Shroud | RT1-31 | RT3-31 | RT5-31 | RT8-31 |
| 32 | Shroud screws (2) | RT1-32 | RT3-32 | RT5-32 | RT8-32 |
| 33 | Secondary Drive Pawl spring | RT1-33 | RT3-33 | RT5-33 | RT8-33 |
| 34 | Reaction arm Plate | RT1-34 | RT3-34 | RT5-34 | RT8-34 |
| 37 | Reaction Arm Plate Screws (2) | RT1-37 | RT3-37 | RT5-37 | RT8-37 |
| 38 | Reaction Arm Lever Spring | RT1-38 | RT3-38 | RT5-38 | RT8-38 |
| 39 | Disengagement Lever Screw | RT1-39 | RT3-39 | RT5-39 | RT8-39 |
| 40 | Primary Drive Pawl Roll Pin | RT1-40 | RT3-40 | RT5-40 | RT8-40 |
| 41 | Secondary Drive Pawl Pin | RT1-41 | RT3-41 | RT5-41 | RT8-41 |
| 42 | Reaction Pawl Roll Pin | RT1-42 | RT3-42 | RT5-42 | RT8-42 |
| 43 | Reaction Arm Boot with Pins | RT1-43 | RT3-43 | RT5-43 | RT8-43 |
| 44 | Reaction Arm Boot Pin (2) | RT1-44 | RT3-44 | RT5-44 | RT8-44 |
| 45 | Reaction Arm Lever Pin | RT1-45 | RT3-45 | RT5-45 | RT8-45 |
| 48 | Access Plug (2) | RT1-48 | RT3-48 | RT5-48 | RT8-48 |
| 58 | Shroud Spring Screw | RT1-58 | RT3-58 | RT5-58 | RT8-58 |
| 59 | Shroud Spring | RT1-59 | RT3-59 | RT5-59 | RT8-59 |
| 61 | Piston Rod Assembly | RT1-61 | RT3-61 | RT5-61 | RT8-61 |
| 62 | Housing Seal Kit | RT1-62 | RT3-62 | RT5-62 | RT8-62 |
| 63 | Drive Pawl Assembly | RT1-63 | RT3-63 | RT5-63 | RT8-63 |
| 00 | Swivel Assembly | RT1-00 | RT3-00 | RT5-00 | RT8-00 |
| SK | Swivel Seal Kit | RT1-SK | RT3-SK | RT5-SK | RT8-SK |



RT TOOL PARTS LIST

| <u># N°</u> | <u>DESCRIPTION</u> | <u>RT10</u> | <u>RT20</u> | <u>RT25</u> |
|-------------|-------------------------------|-------------|-------------|-------------|
| 1 | Housing | RT10-1 | RT20-1 | RT25-1 |
| 3 | Reaction Arm Assembly | RT10-3 | RT20-3 | RT25-3 |
| 4 | Drive Plate | RT10-4 | RT20-4 | RT25-4 |
| 5 | Square Drive | RT10-5 | RT20-5 | RT25-5 |
| 6 | Ratchet Spline | RT10-6 | RT20-6 | RT25-6 |
| 7 | Drive bushing (2) | RT10-7 | RT20-7 | RT25-7 |
| 8 | Drive Sleeve Spline (2) | RT10-8 | RT20-8 | RT25-8 |
| 10 | Reaction Pawl | RT10-10 | RT20-10 | RT25-10 |
| 11 | Drive Retainer | RT10-11 | RT20-11 | RT25-11 |
| 13 | Drive Plate Roll Pin | RT10-13 | RT20-13 | RT25-13 |
| 15 | Disengagement Lever w/ screws | RT10-15 | RT20-15 | RT25-15 |
| 17 | Piston Rod Connector | RT10-17 | RT20-17 | RT25-17 |
| 18 | Reaction Pawl Spring | RT10-18 | RT20-18 | RT25-18 |
| 19 | Rod End Pin | RT10-19 | RT20-19 | RT25-19 |
| 20 | Drive sleeve Retaining Ring | RT10-20 | RT20-20 | RT25-20 |
| 24 | Piston Sleeve with seal | RT10-24 | RT20-24 | RT25-24 |
| 25 | Piston with Seal | RT10-25 | RT20-25 | RT25-25 |
| 26 | Cylinder End Cap | RT10-26 | RT20-26 | RT25-26 |
| 27 | Drive Pawl Spring (2) | RT10-27 | RT20-27 | RT25-27 |
| 28 | Reaction Arm Lever | RT10-28 | RT20-28 | RT25-28 |
| 29 | Piston Rod | RT10-29 | RT20-29 | RT25-29 |
| 31 | Shroud | RT10-31 | RT20-31 | RT25-31 |
| 32 | Shroud screws (2) | RT10-32 | RT20-32 | RT25-32 |
| 33 | Secondary Drive Pawl spring | RT10-33 | RT20-33 | RT25-33 |
| 34 | Reaction arm Plate | RT10-34 | RT20-34 | RT25-34 |
| 37 | Reaction Arm Plate Screws (2) | RT10-37 | RT20-37 | RT25-37 |
| 38 | Reaction Arm Lever Spring | RT10-38 | RT20-38 | RT25-38 |
| 39 | Disengagement Lever Screw | RT10-39 | RT20-39 | RT25-39 |
| 40 | Primary Drive Pawl Roll Pin | RT10-40 | RT20-40 | RT25-40 |
| 41 | Secondary Drive Pawl Pin | RT10-41 | RT20-41 | RT25-41 |
| 42 | Reaction Pawl Roll Pin | RT10-42 | RT20-42 | RT25-42 |
| 43 | Reaction Arm Boot with Pins | RT10-43 | RT20-43 | RT25-43 |
| 44 | Reaction Arm Boot Pin (2) | RT10-44 | RT20-44 | RT25-44 |
| 45 | Reaction Arm Lever Pin | RT10-45 | RT20-45 | RT25-45 |
| 48 | Access Plug (2) | RT10-48 | RT20-48 | RT25-48 |
| 58 | Shroud Spring Screw | RT10-58 | RT20-58 | RT25-58 |
| 59 | Shroud Spring | RT10-59 | RT20-59 | RT25-59 |
| 61 | Piston Rod Assembly | RT10-61 | RT20-61 | RT25-61 |
| 62 | Housing Seal Kit | RT10-62 | RT20-62 | RT25-62 |
| 63 | Drive Pawl Assembly | RT10-63 | RT20-63 | RT25-63 |
| 00 | Swivel Assembly | RT10-00 | RT20-00 | RT25-00 |
| SK | Swivel Seal Kit | RT10-SK | RT20-SK | RT25-SK |